

PRINCIPAL PARTICULARS

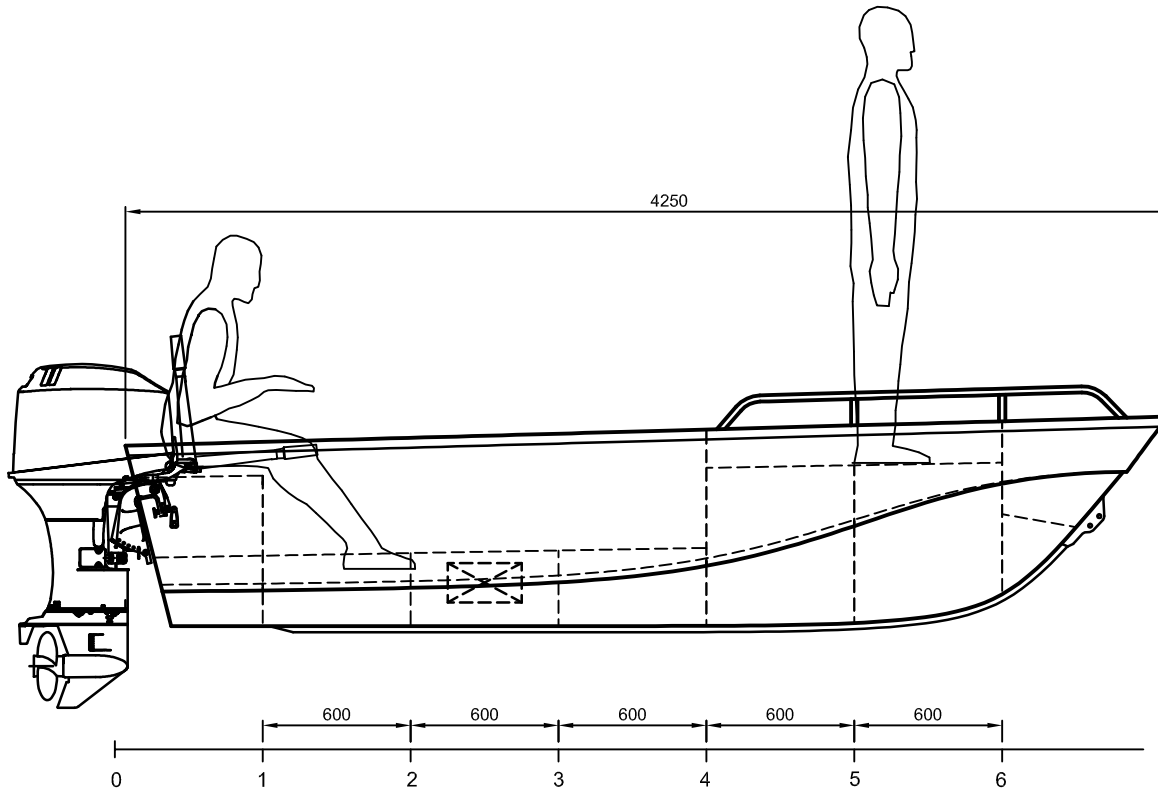
LOA: 4.25 m
LENGTH: 4.25 m
BEAM: 1.8 m
DEPTH: 0.73 m
DRAFT: 0.24m (HULL)
D/RISE: 12° @ TRAN.
DISPL: 350kg DRY -w- 70HP
ENG: 20" (LONG)

ABP DATA

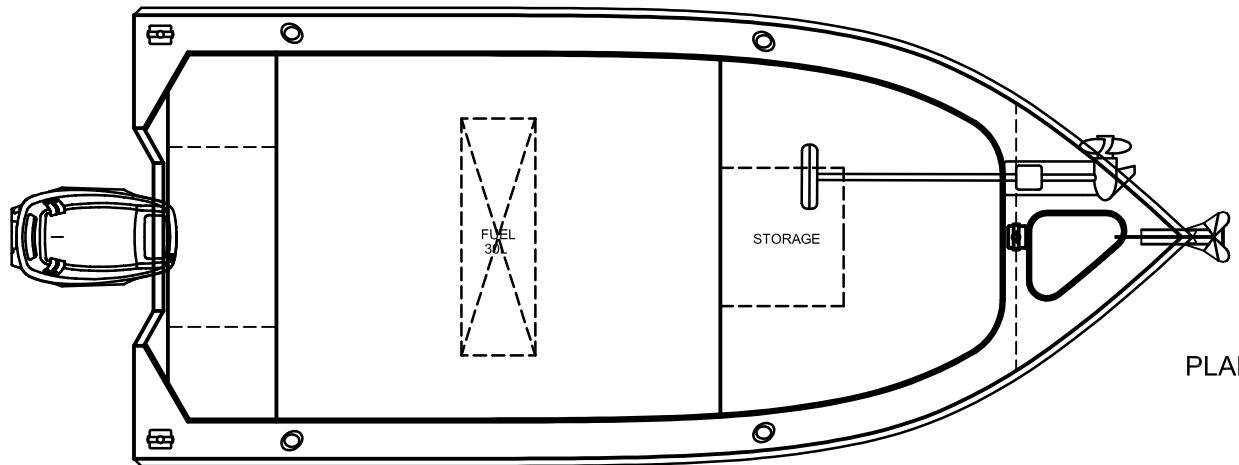
40 HP
3 ADULTS - 360 Kg
MAX LOAD 355 Kg

4.25m TILLER STEER

GENERAL ARRANGEMENT



PROFILE



PLAN

Notes: Owner Advised to provide sun protection

www.platealloy.com

