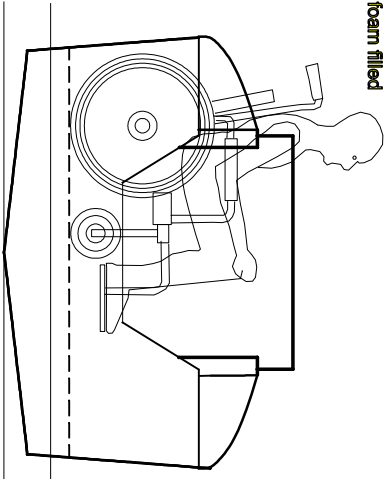


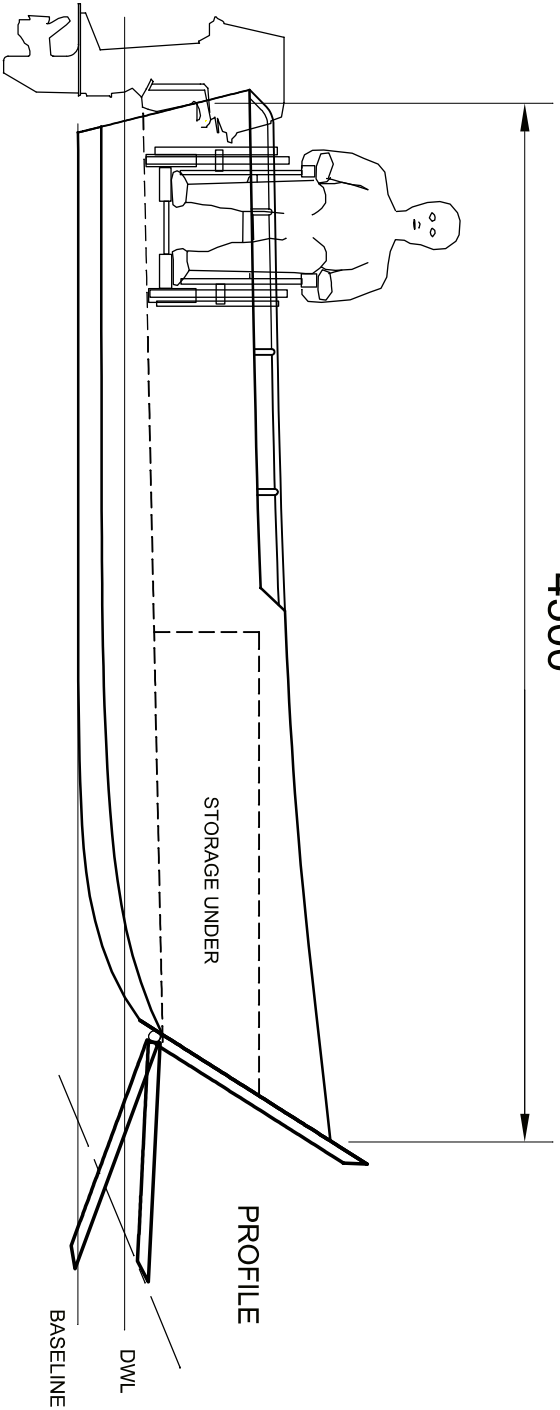
PRINCIPAL PARTICULARS

LOA: 4.5 m (Hull Only)
 BEAM: 1.8m
 DEPTH: 0.9m
 D/RISE: 7° @ TRAN.
 DISPL: 400kg DRY
 ENG: 20° (L SHAFT)
 RATED: 30 HP MAX.

Boat hull foam filled

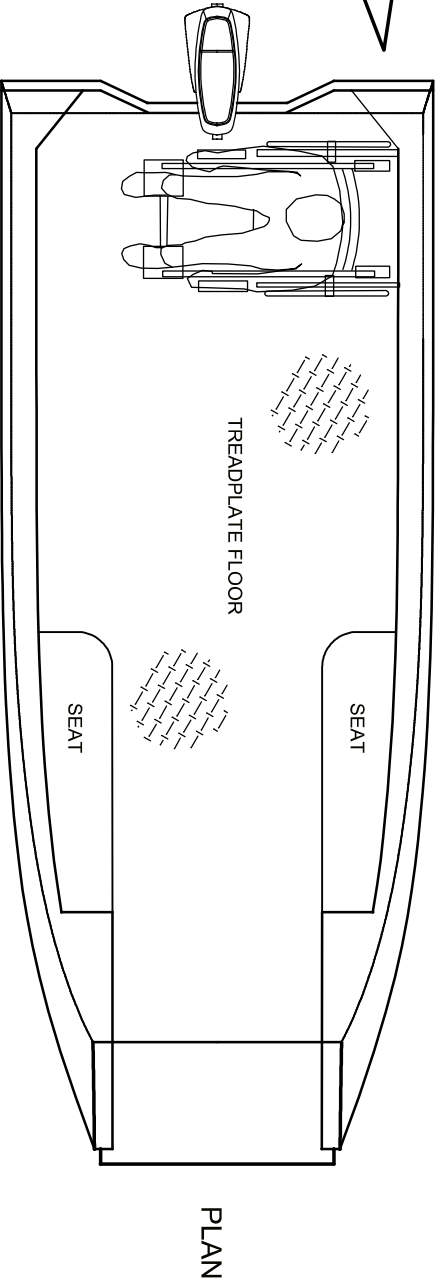


DWL



4500

Note: Console layout can be customised by owner
 Owner Advised to provide sun protection



PLAN



PLATE ALLOY