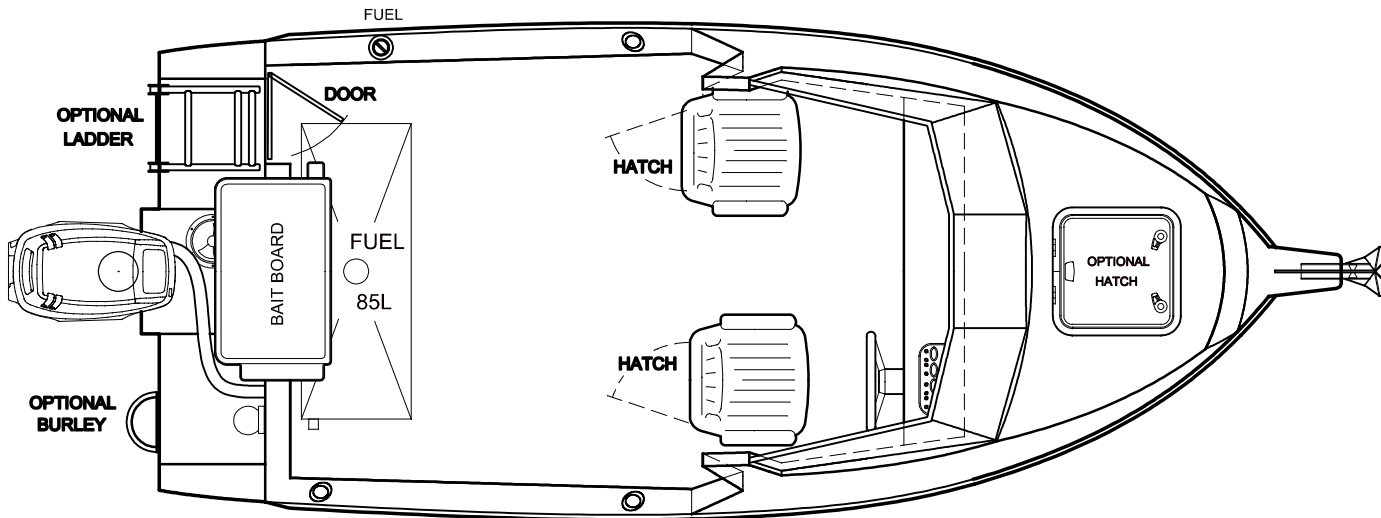
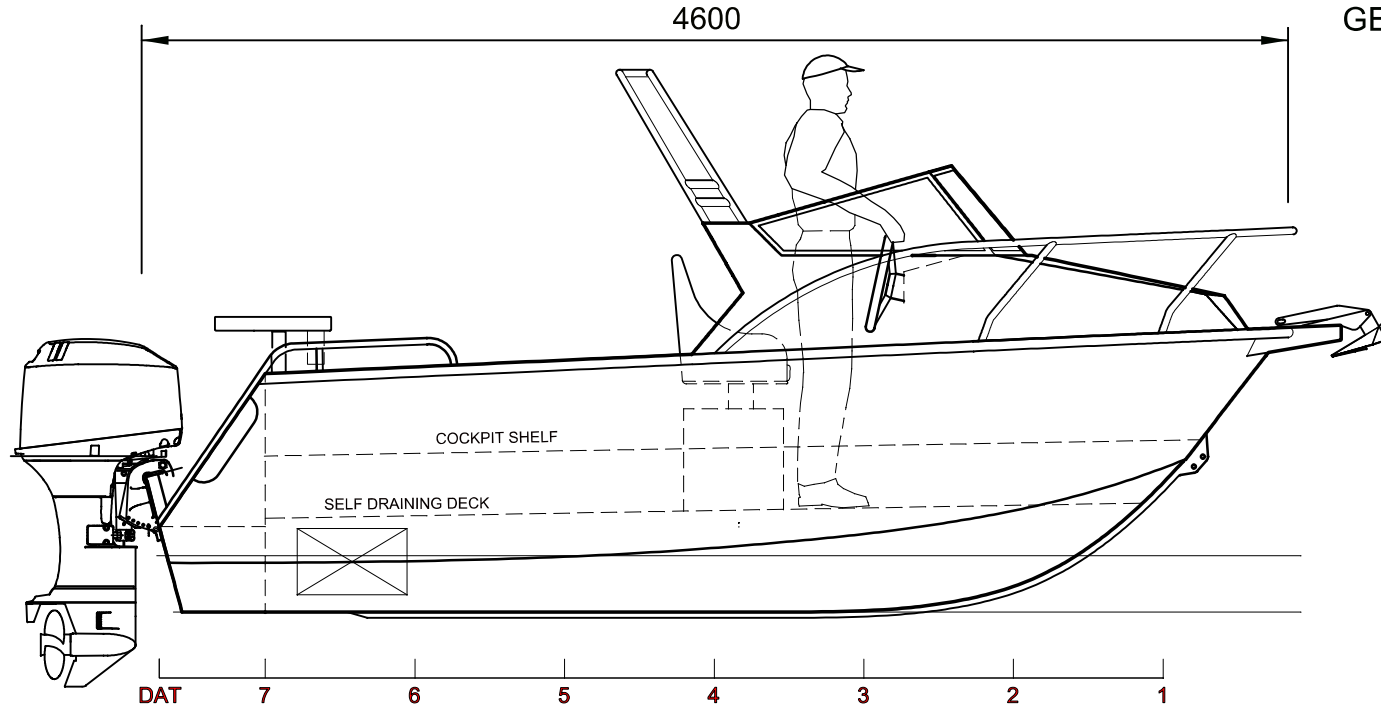


PRINCIPAL PARTICULARS

LOA: 4.81 m
LOH: 4.60 m (Hull Only)
BEAM: 2.00m
DEPTH: 1.1m
DRAFT: 0.23m (HULL)
D/RISE: 15° @ TRAN.
DISPL: 600kg DRY -w- 70HP
ENG: 20° (L SHAFT)

**4.6m RUNABOUT
GENERAL ARRANGEMENT**



Kit Notes: Bimini / Launcher, Ladder and Fuel Tank not included in Flat Pack Kit

This drawing is the property of Plate Alloy Australia – 12–14 Elma Road, Cheltenham, Victoria, 3192, Australia. – Phone: (+613) 9555 6399 Fax: (+613) 9555 6499



www.platealloy.com