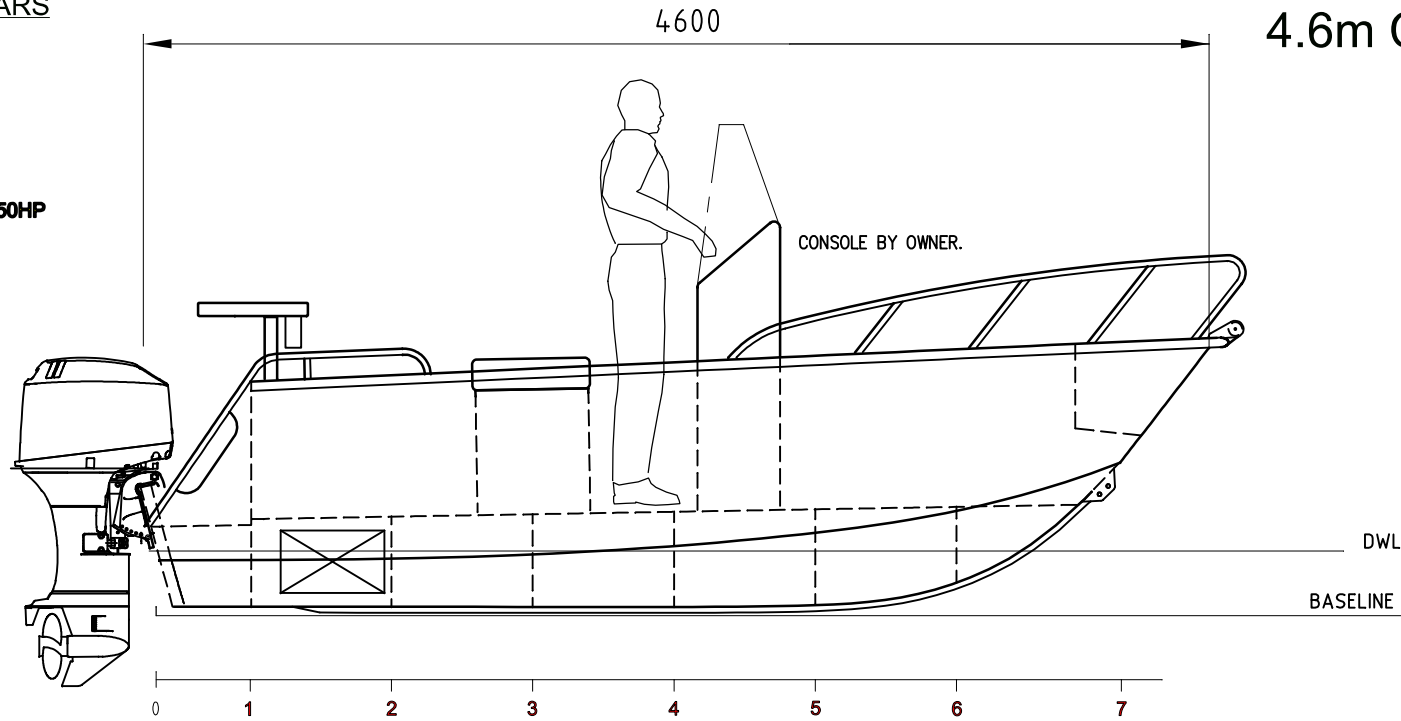


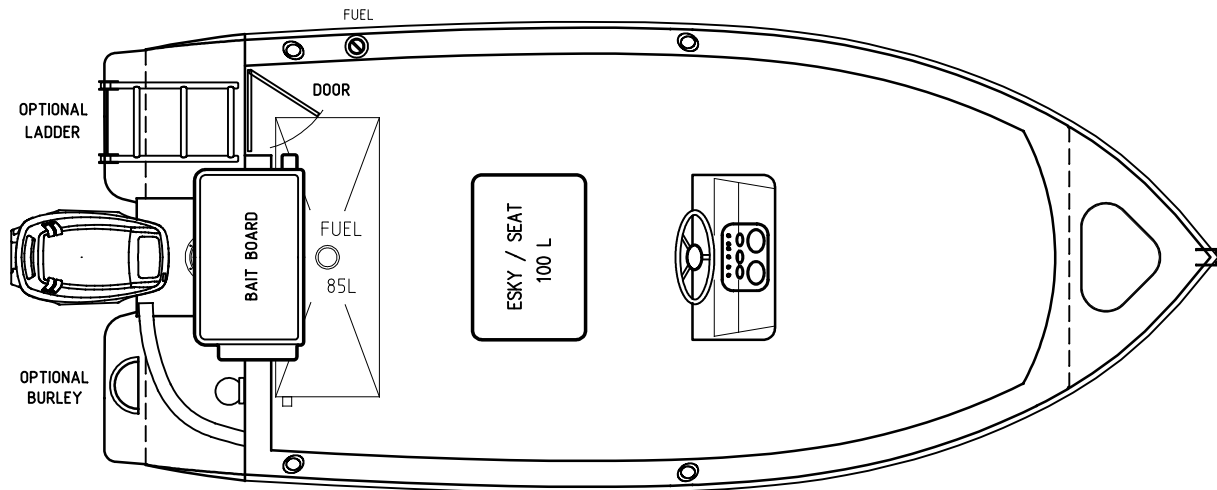
PRINCIPAL PARTICULARS

LOA: 5.2 m
LENGTH: 4.6 m
BEAM: 2.00 m
DEPTH: 1.08 m
DRAFT: 0.25m (HULL)
D/RISE: 14° @ TRAN.
DISPL: 550kg DRY -w- 50HP

**4.6m CENTRE CONSOLE
 GENERAL ARRANGEMENT**



PROFILE



PLAN

Note: Console design can be customised for owner
 Owner Advised to provide sun protection
 Console / Seat / Bimi – all optional

Kit Notes: Console, Ladder and Fuel Tank not included in Flat Pack Kit. Typical fitout options shown.

This drawing is the property of Plate Alloy Australia – 12-14 Elma Road, Cheltenham, Victoria, 3192, Australia. – Phone: (+613) 9555 6399 Fax: (+613) 9555 6499

www.platealloy.com

