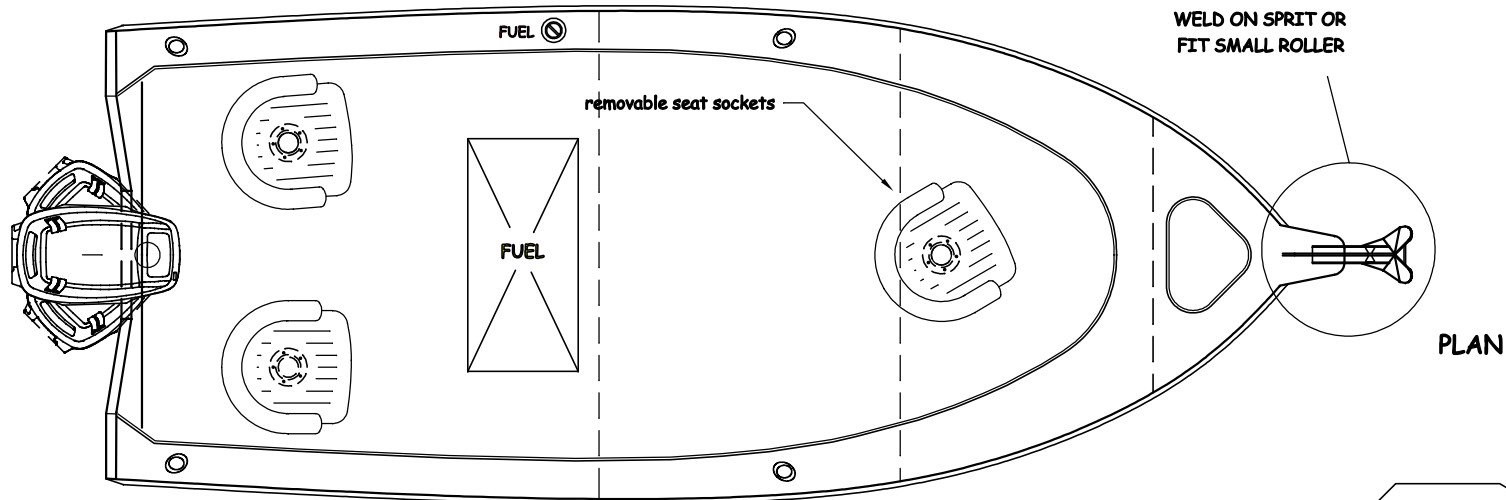
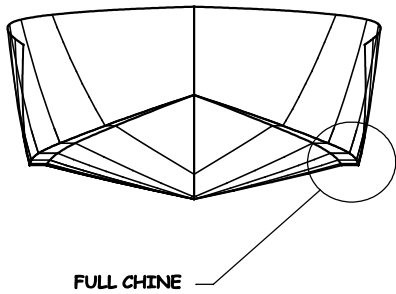
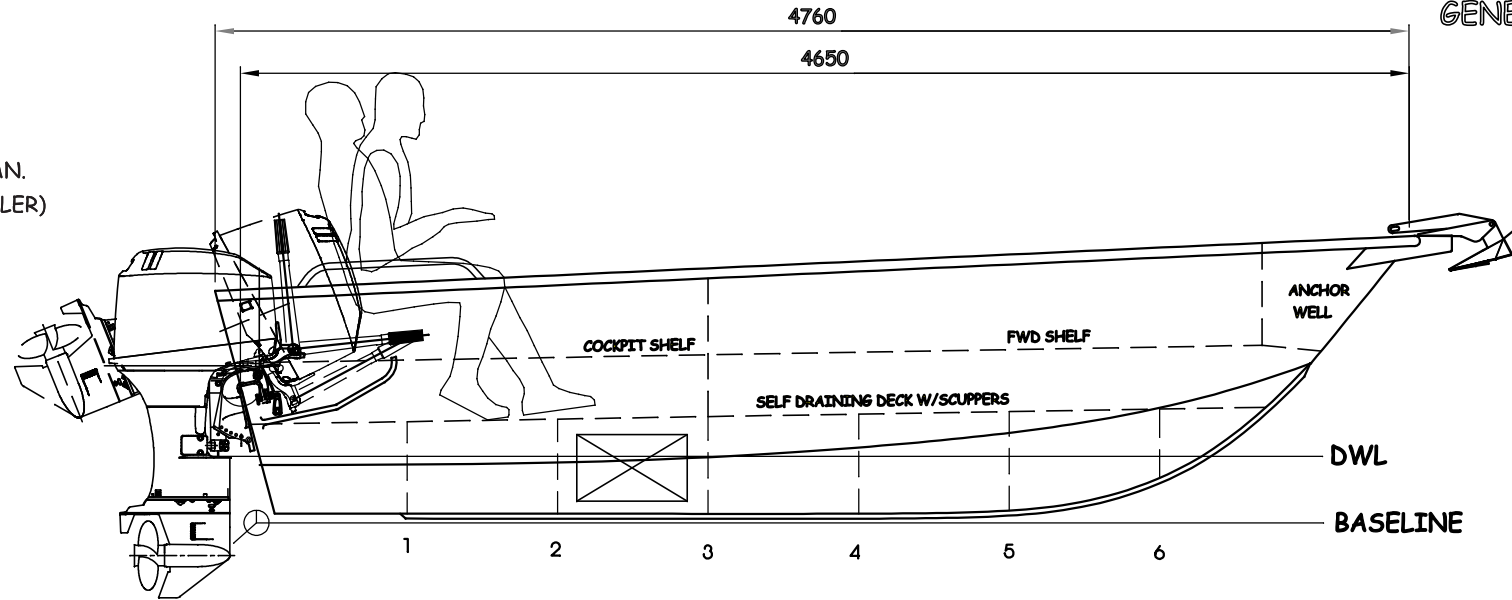


**PRINCIPAL PARTICULARS**

LOA: 4.76 m  
 LENGTH: 4.65 m  
 BEAM: 2.00 m  
 DEPTH: 1.02 m  
 DRAFT: 0.13m  
 D/RISE: 14° @ TRAN.  
 POWER: 35HP (TILLER)

**4.65m TILLER STEER DINGHY**

GENERAL ARRANGEMENT



www.platealloy.com

