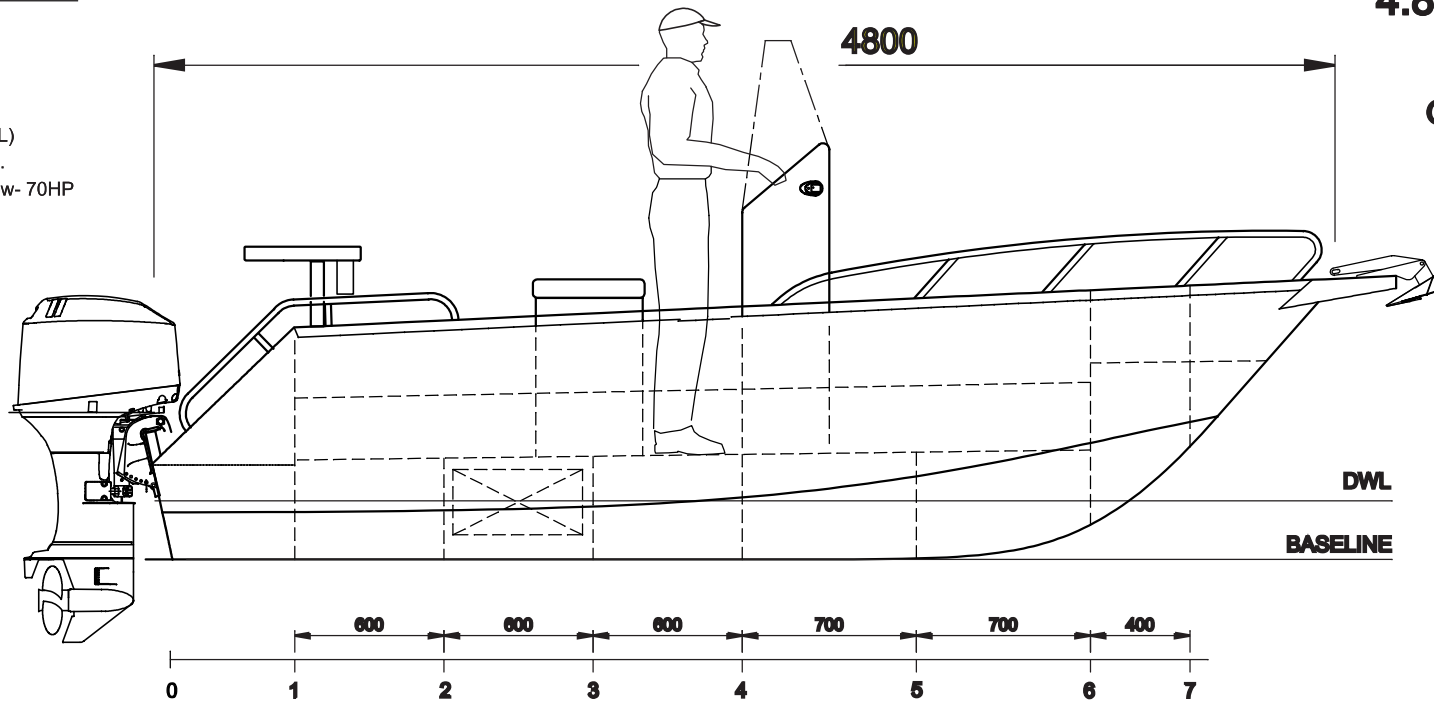


PRINCIPAL PARTICULARS

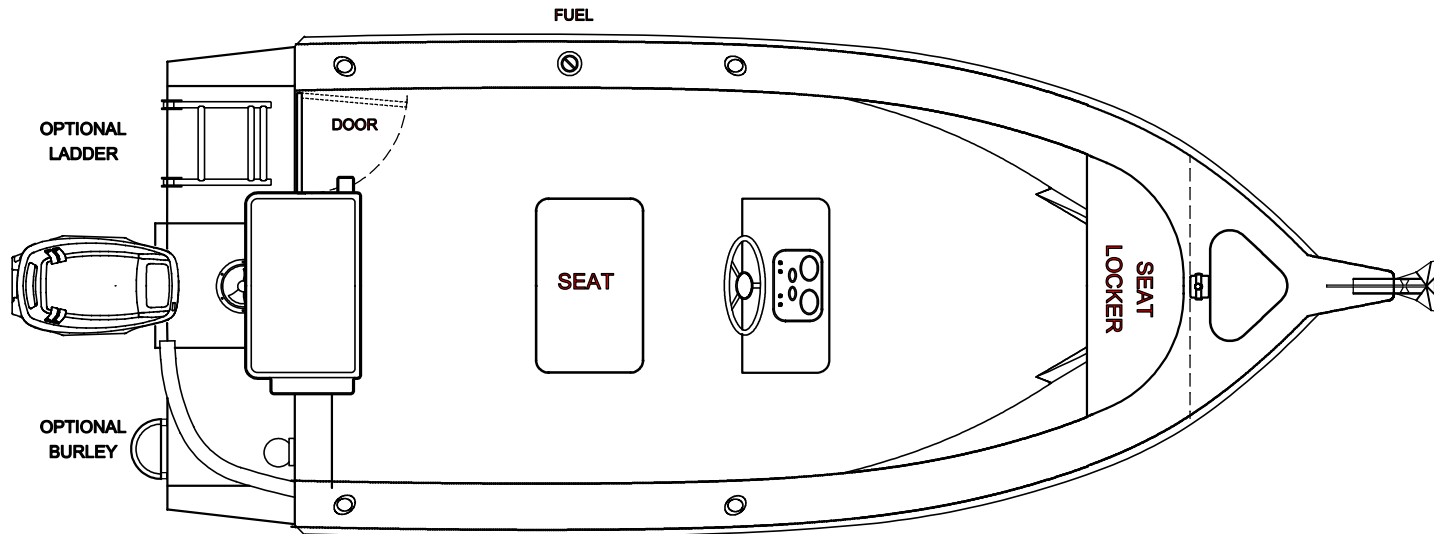
LOA: 5.0 m
 LENGTH: 4.80 m
 BEAM: 2.0 m
 DEPTH: 1.1 m
 DRAFT: 0.23m (HULL)
 D/RISE: 15° @ TRAN.
 DISPL: 680kg DRY -w- 70HP
 ENG: 20" (LONG)

**4.8m CENTRE CONSOLE
 (2009 model)**

GENERAL ARRANGEMENT



PROFILE



PLAN

Note: Console design can be customised for owner
 Owner Advised to provide sun protection
 Console / Seat / Bimi – all optional

www.platealloy.com



PLATE ALLOY