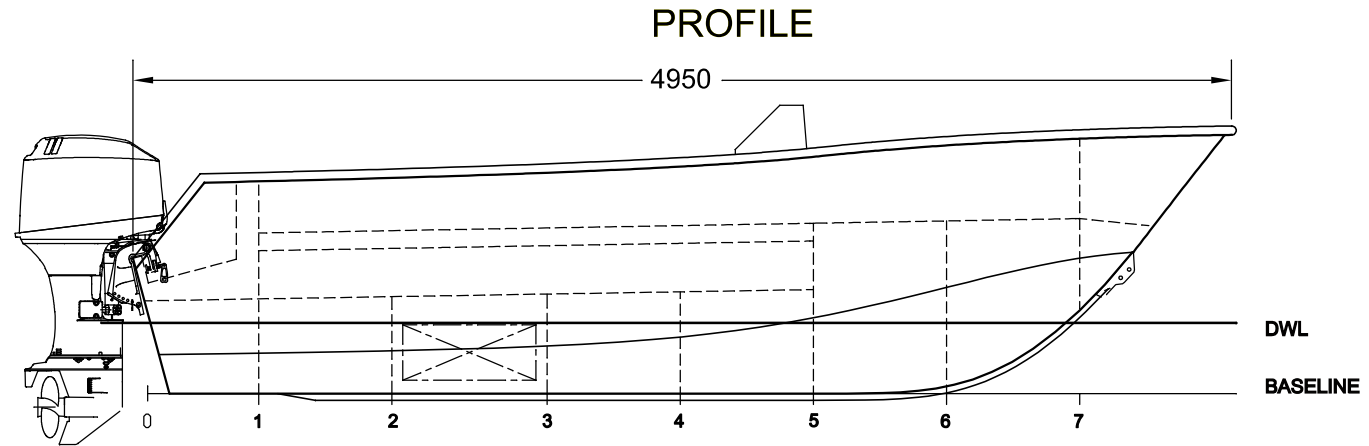


PRINCIPAL PARTICULARS

Loa: 5.0 m
Lhull: 4.95 m
Beam: 2.2 m
Draft (min): 0.26m
Depth: 0.94m
Deadrise: 14 deg
Weight (Dry): 750 kg w 90HP

4.95m Side Console General Arrangement



PLAN

