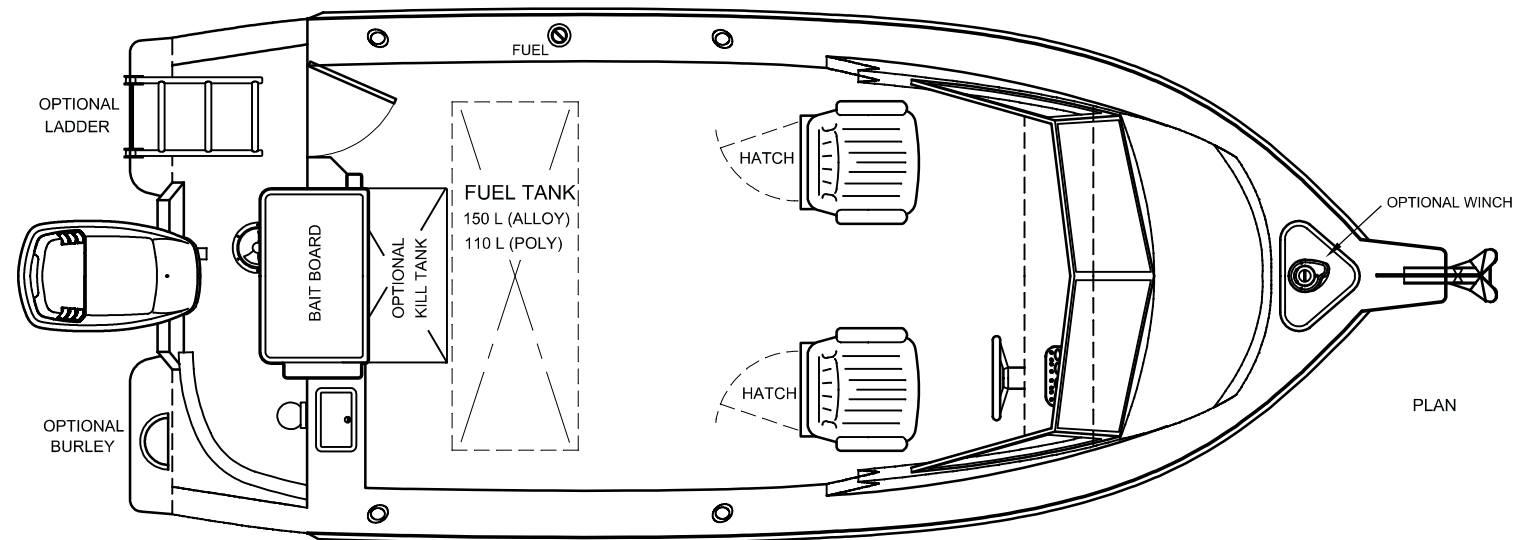
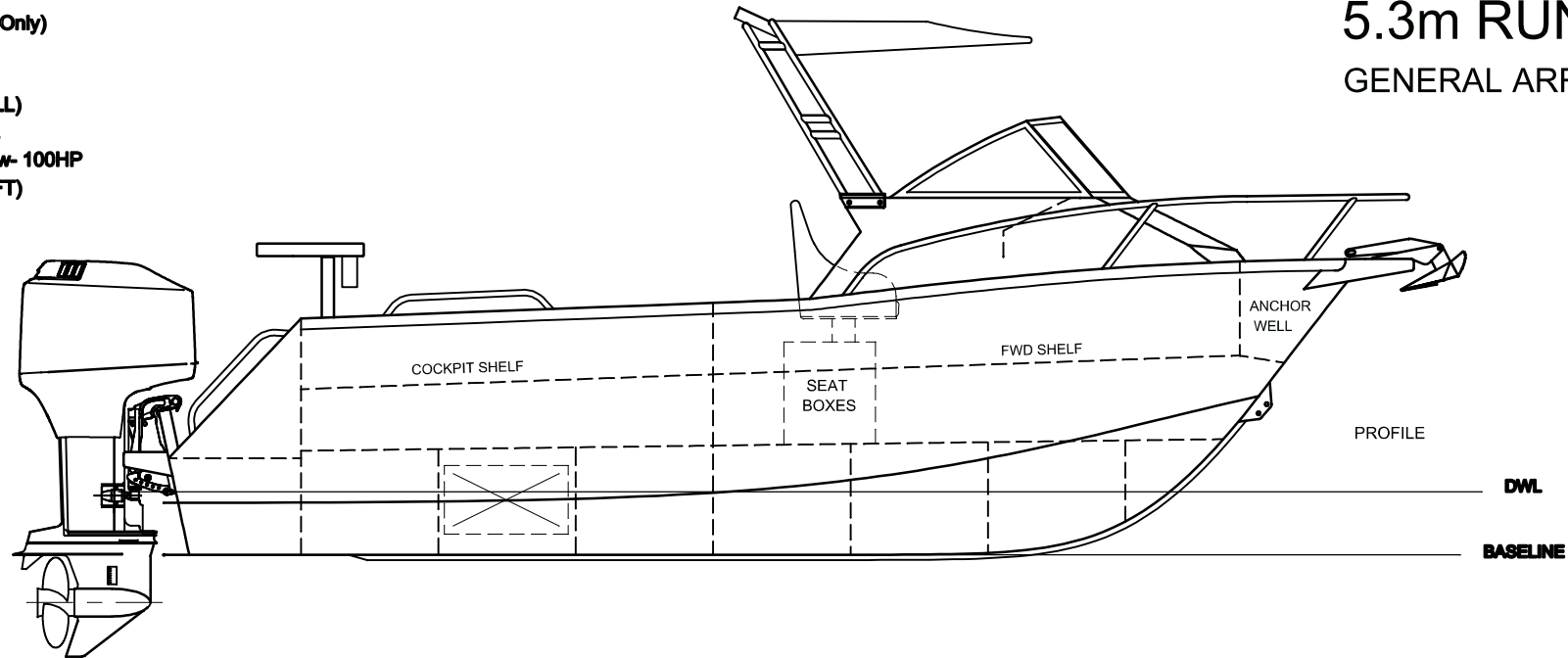


PRINCIPAL PARTICULARS

LOA: 5.80 m (Hull Only)
BEAM: 2.25m
DEPTH: 1.03m
DRAFT: 0.275m (HULL)
D/RISE: 16° @ TRAN.
DISPL: 950kg DRY -w- 100HP
ENG: 25" (XL SHAFT)
RATED: 115 HP MAX.

5.3m RUNABOUT GENERAL ARRANGEMENT



Kit Notes: Bimini / Launcher, Ladder and Fuel Tank not included in Flat Pack Kit. Typical fitout options shown.

This drawing is the property of Plate Alloy Australia - 12-14 Elma Road, Cheltenham, Victoria, 3192, Australia. - Phone: (+613) 9555 6399 Fax: (+613) 9555 6499

