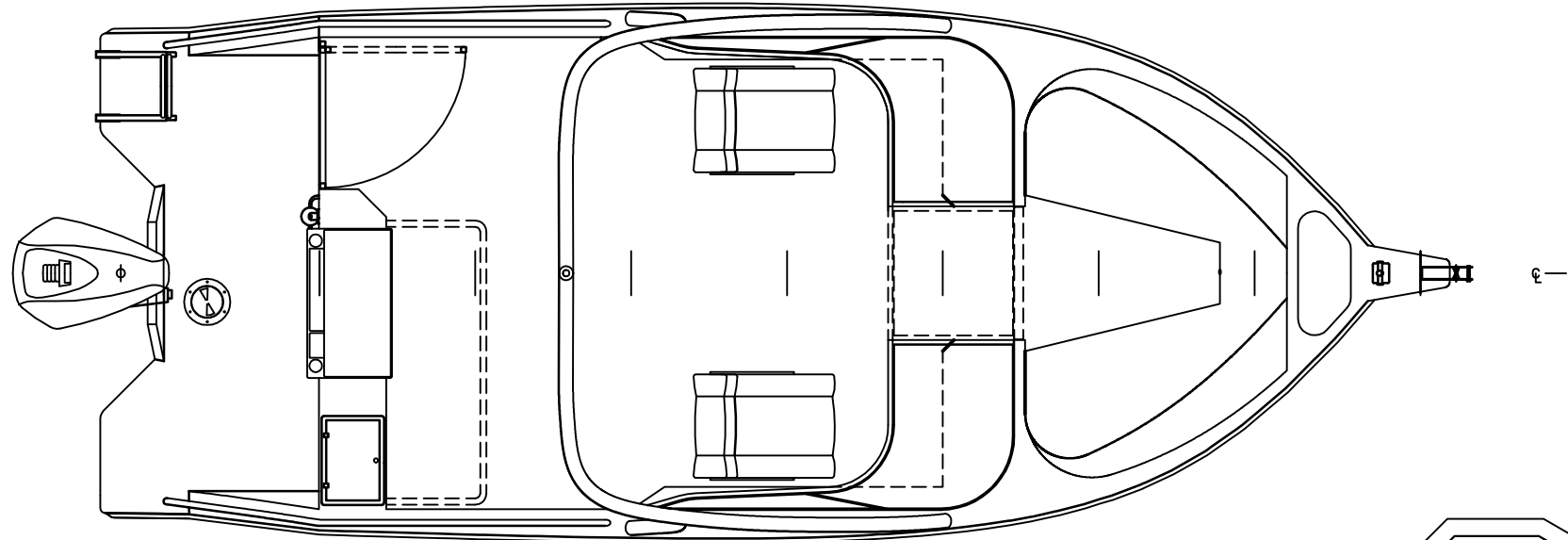
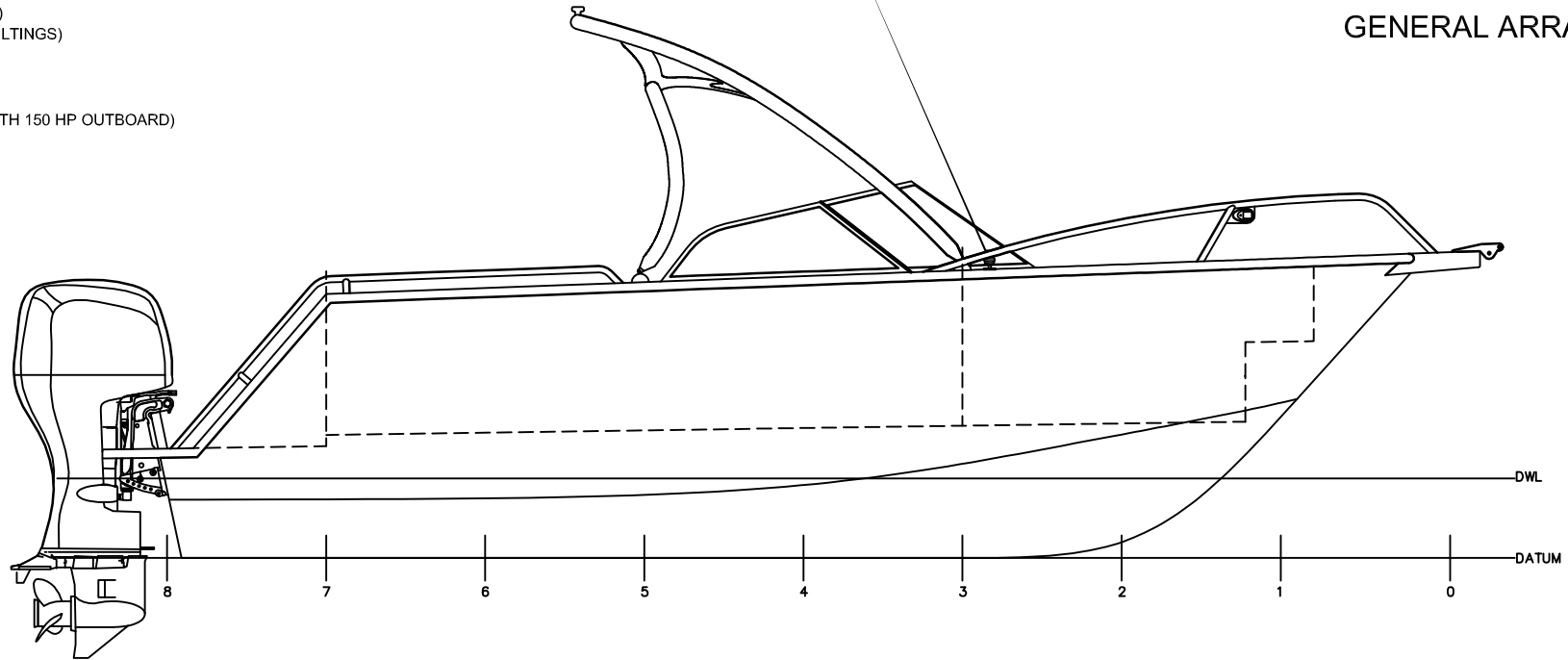


PRINCIPAL PARTICULARS

LOH: 5.6m (Hull Only)
BEAM: 2.4m (PLUS BELTINGS)
DEPTH: 1.2m
DRAFT: 0.35m (HULL)
D/RISE: 16° @ TRAN.
DISPL: 950kg (DRY WITH 150 HP OUTBOARD)
ENG: MAX 175HP

5.6m BOW RIDER
GENERAL ARRANGEMENT



www.platealloy.com



Kit Notes: Bimini / Launcher, Ladder and Fuel Tank not included in Flat Pack Kit. Fitout options shown for illustration only.

This drawing is the property of Plate Alloy Australia - 12-14 Elma Road, Cheltenham, Victoria, 3192, Australia. - Phone: (+613) 9555 6399 Fax: (+613) 9555 6499

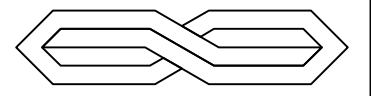


PLATE ALLOY