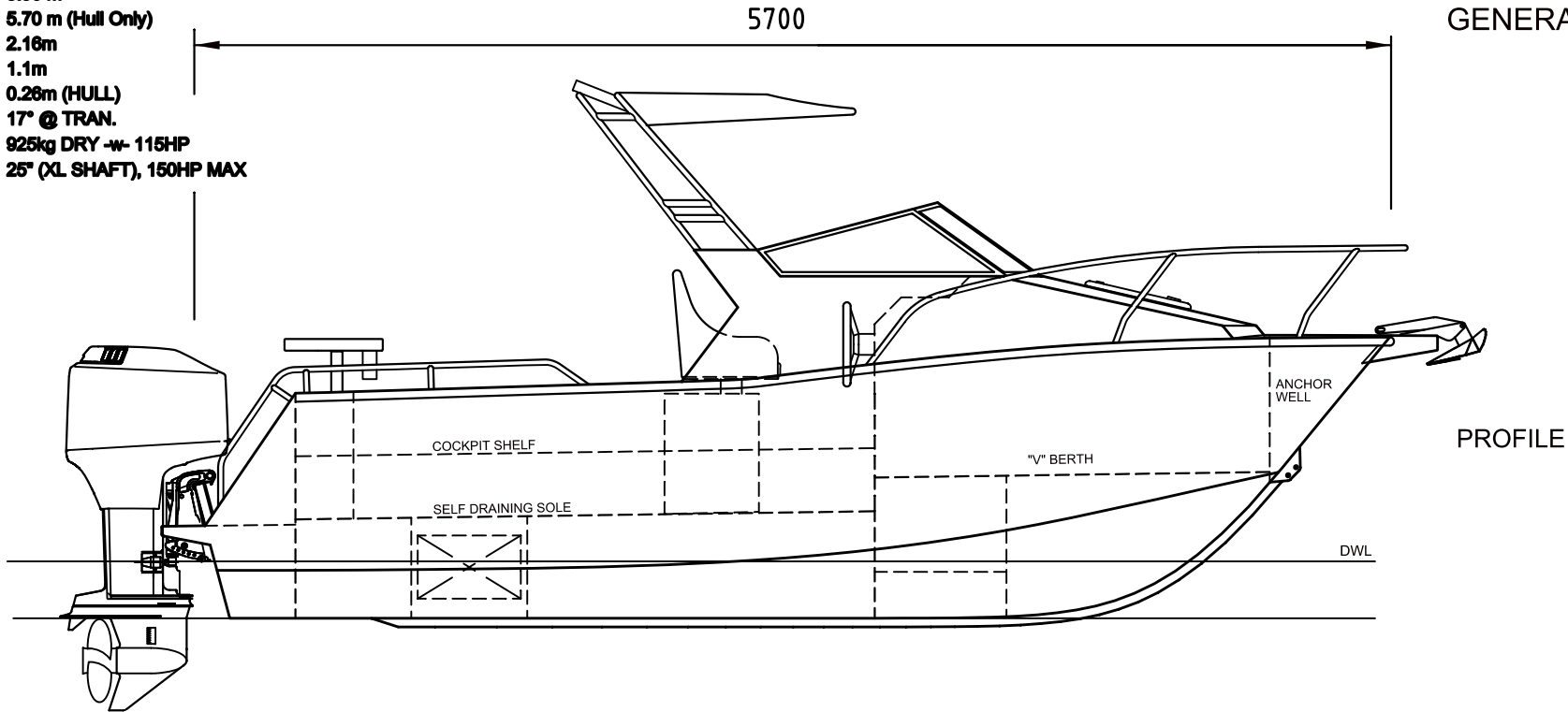


PRINCIPAL PARTICULARS

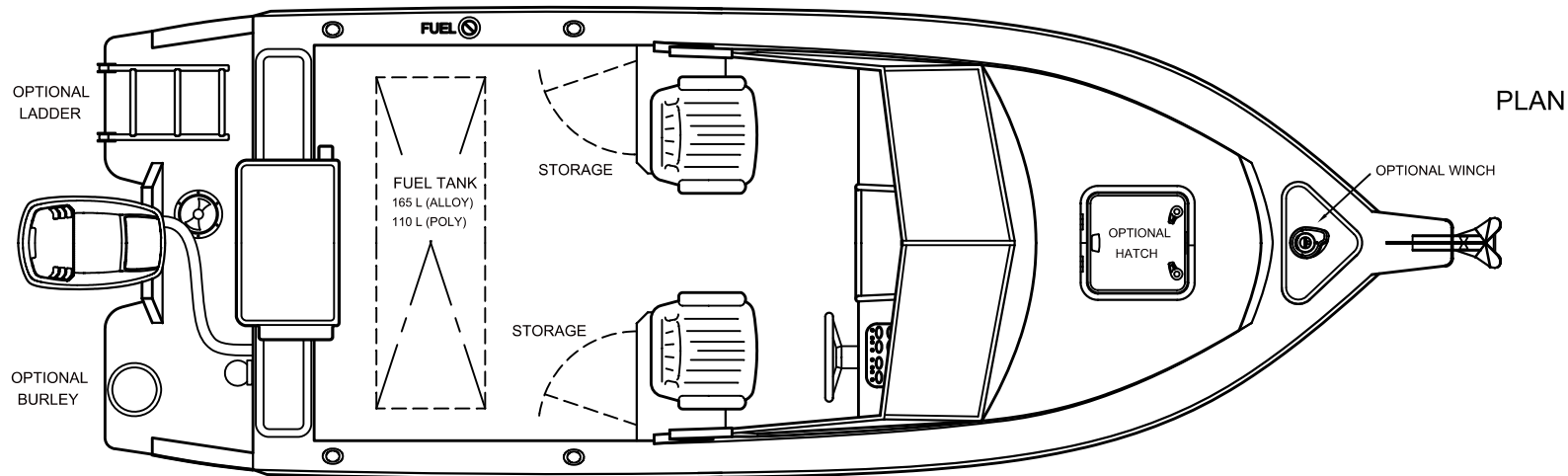
LOA: 5.90 m
LOH: 5.70 m (Hull Only)
BEAM: 2.16 m
DEPTH: 1.1m
DRAFT: 0.26m (HULL)
D/RISE: 17° @ TRAN.
DISPL: 925kg DRY -w- 115HP
ENG: 25" (XL SHAFT), 150HP MAX

5.7m CUDDY CAB

GENERAL ARRANGEMENT



PROFILE



PLAN

Kit Notes: Bimini / Launcher, Ladder and Fuel Tank not included in Flat Pack Kit

This drawing is the property of Plate Alloy Australia - 12-14 Elma Road, Cheltenham, Victoria, 3192, Australia. - Phone: (+613) 9555 6399 Fax: (+613) 9555 6499



www.platealloy.com