

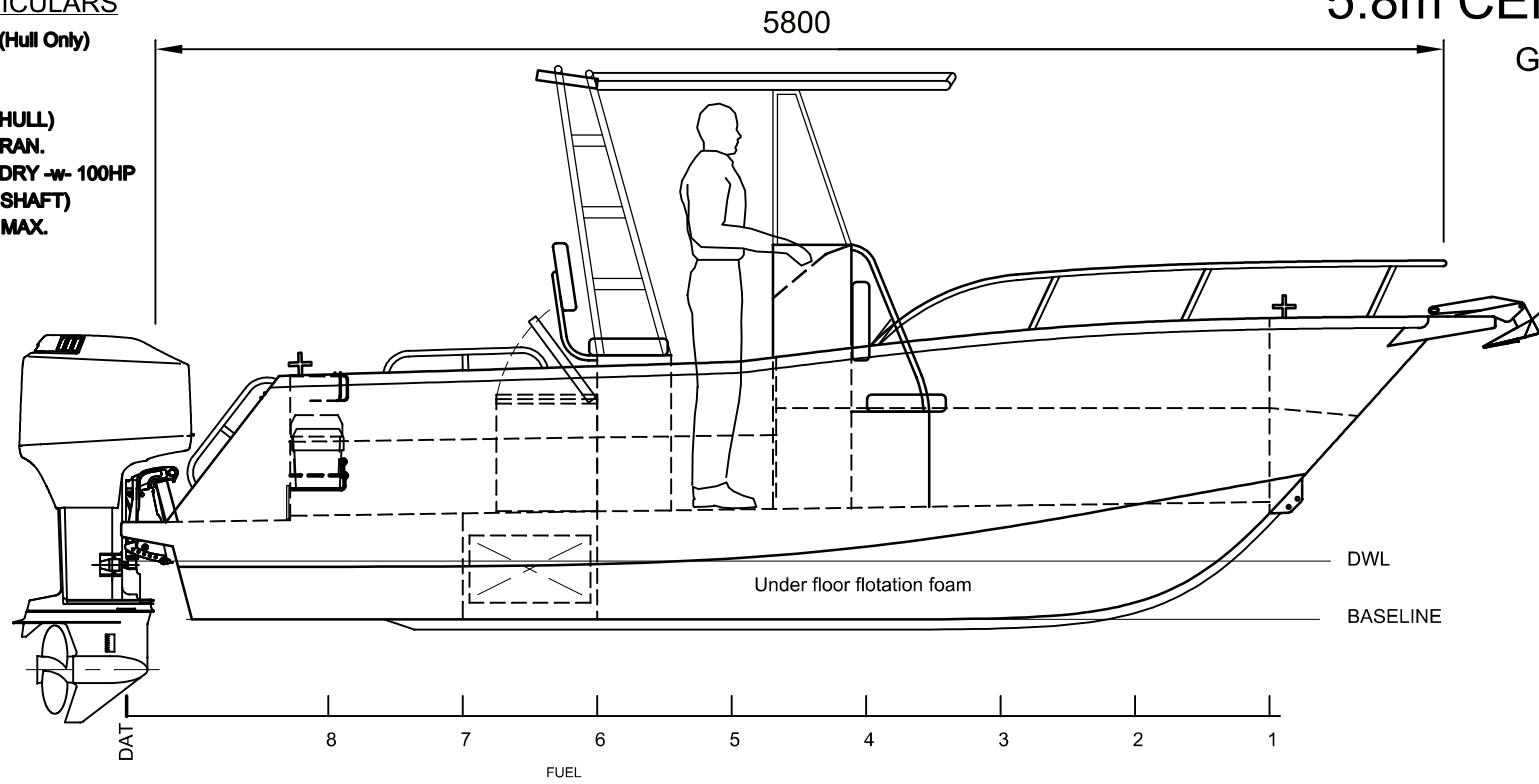
PRINCIPAL PARTICULARS

LOA: 5.80 m (Hull Only)
BEAM: 2.35m
DEPTH: 1.35m
DRAFT: 0.28m (HULL)
D/RISE: 15° @ TRAN.
DISPL: 1050kg DRY -w- 100HP
ENG: 25° (XL SHAFT)
RATED: 150 HP MAX.

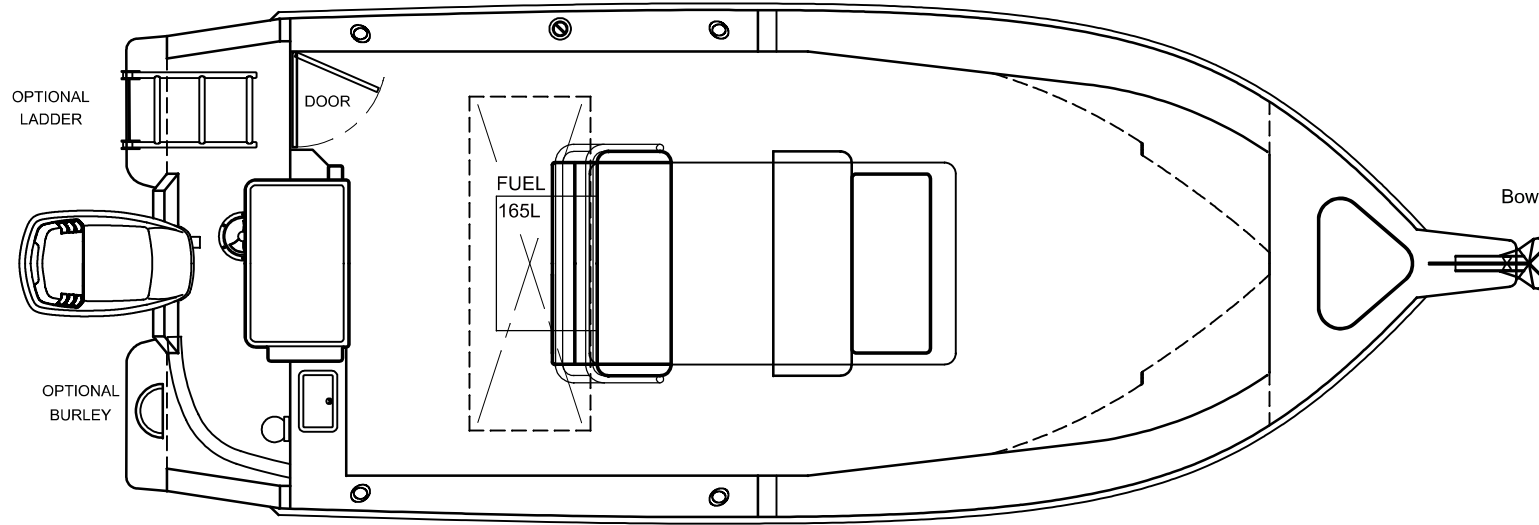
Boat hull foam filled

5.8m CENTRE CONSOLE

GENERAL ARRANGEMENT



PROFILE



PLAN

Note: Console layout can be customised by owner
 Owner Advised to provide sun protection

www.platealloy.com

