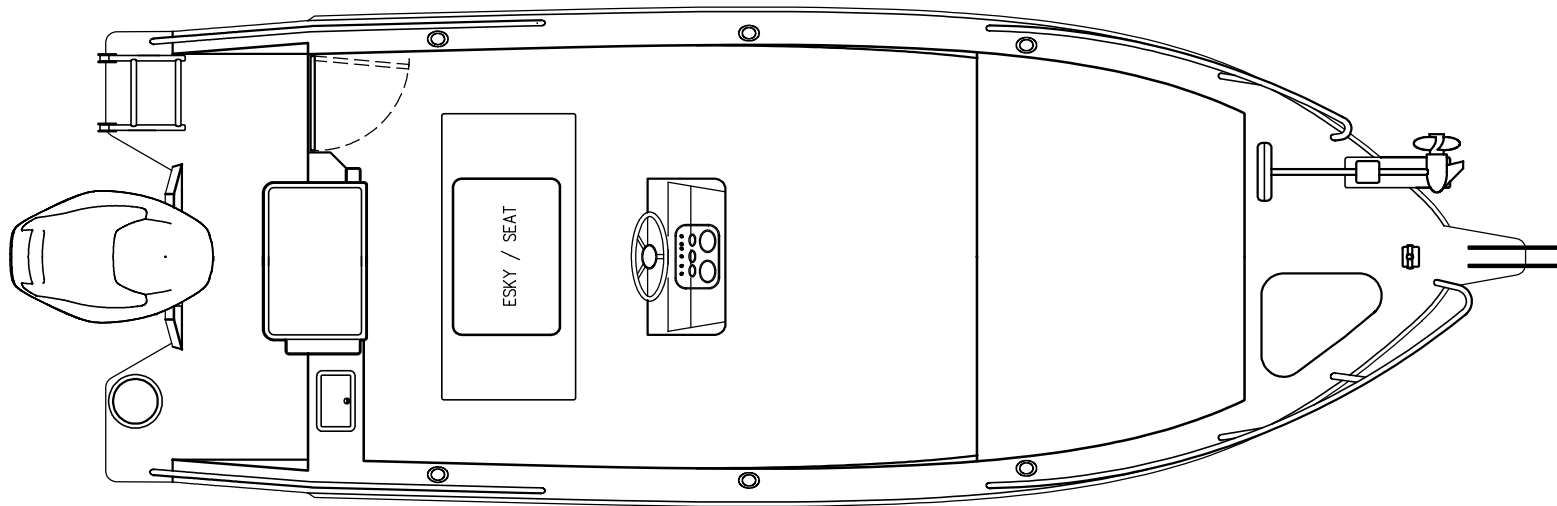
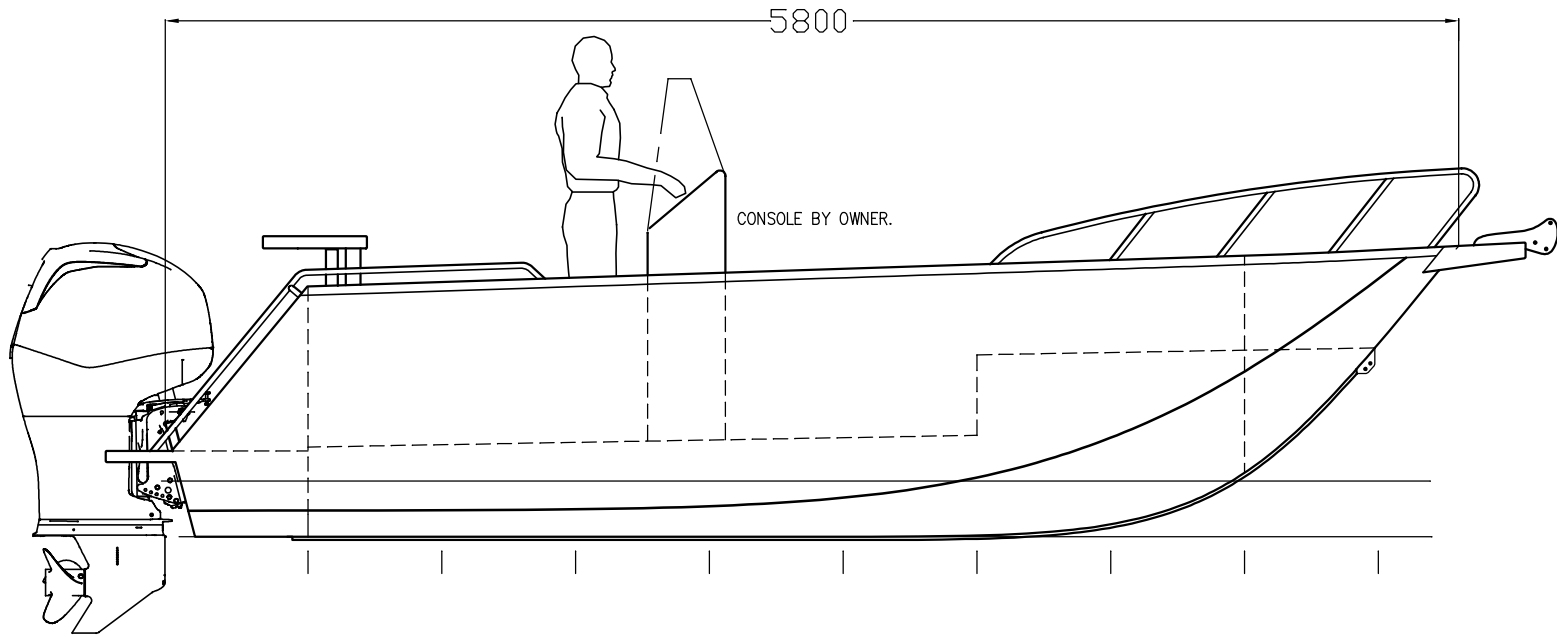
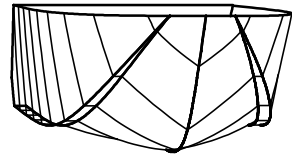


PRINCIPAL PARTICULARS

LOH: 5.8m (Hull Only)
BEAM: 2.2m
DEPTH: 1.1m
DRAFT: 0.25m (HULL)
D/RISE: 6° @ TRAN.
DISPL: 1050kg (DRY)
ENG: 150HP (20")

5.8m BARRA BASS

GENERAL ARRANGEMENT



www.platealloy.com



Kit Notes: Console, Ladder and Fuel Tank not included in Flat Pack Kit

This drawing is the property of Plate Alloy Australia - 12-14 Elma Road, Cheltenham, Victoria, 3192, Australia. - Phone: (+613) 9555 6399 Fax: (+613) 9555 6499

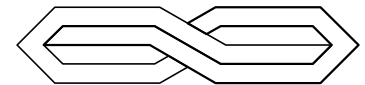


PLATE ALLOY