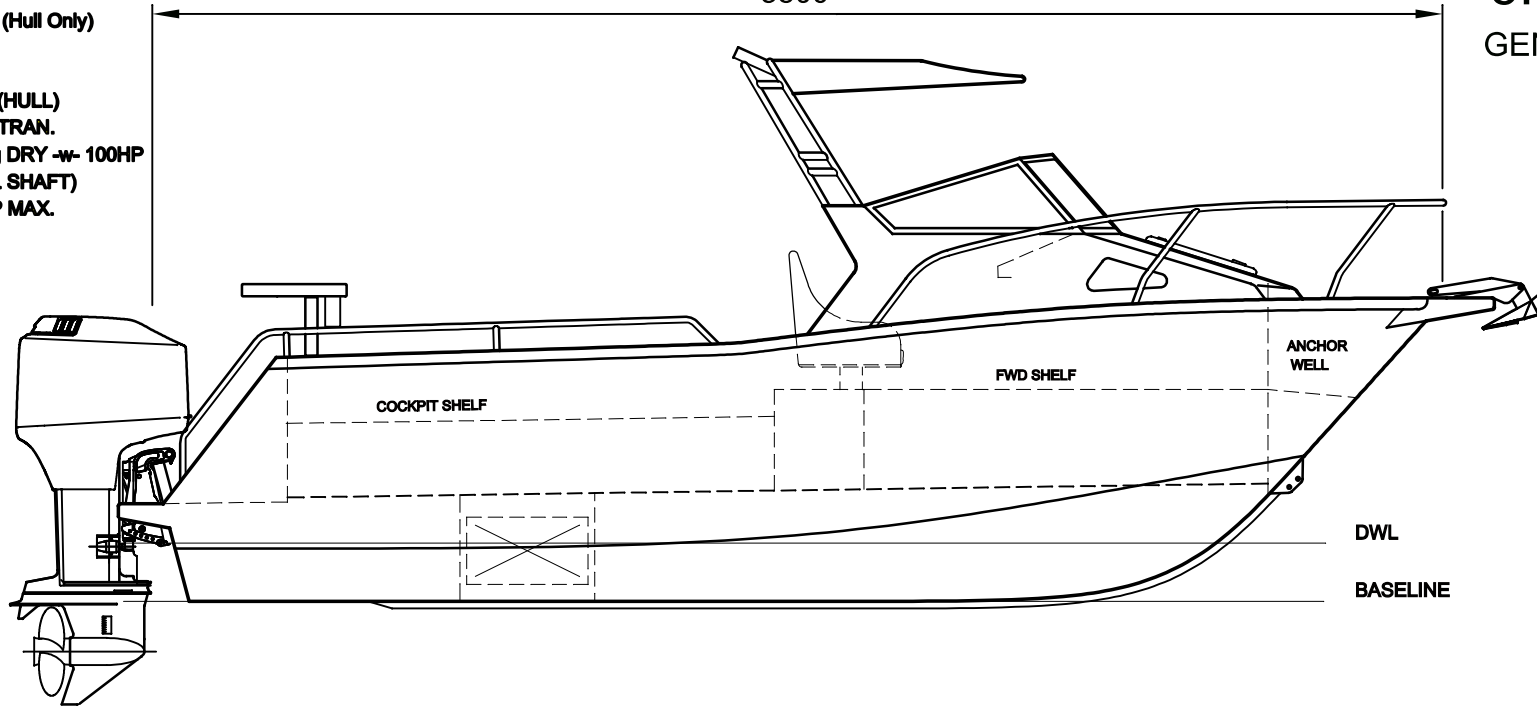


**PRINCIPAL PARTICULARS**

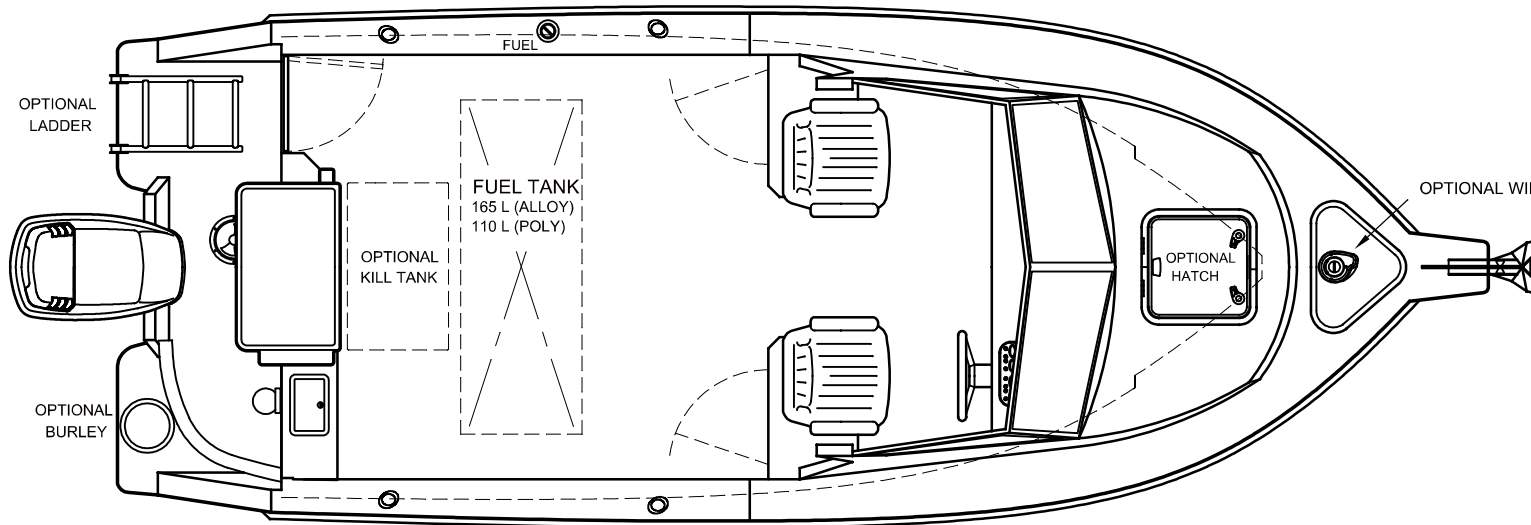
**LOH:** 5.80 m (Hull Only)  
**BEAM:** 2.35m  
**DEPTH:** 1.35m  
**DRAFT:** 0.26m (HULL)  
**D/RISE:** 15° @ TRAN.  
**DISPL:** 1050kg DRY -w- 100HP  
**ENG:** 25° (XL SHAFT)  
**RATED:** 150 HP MAX.

5800

**5.8m RUNABOUT  
 GENERAL ARRANGEMENT**

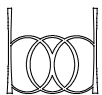


PROFILE



PLAN

www.platealloy.com



Kit Notes: Bimini / Launcher, Ladder and Fuel Tank not included in Flat Pack Kit. Typical fitout options shown.

This drawing is the property of Plate Alloy Australia - 12-14 Elma Road, Cheltenham, Victoria, 3192, Australia. - Phone: (+613) 9555 6399 Fax: (+613) 9555 6499

