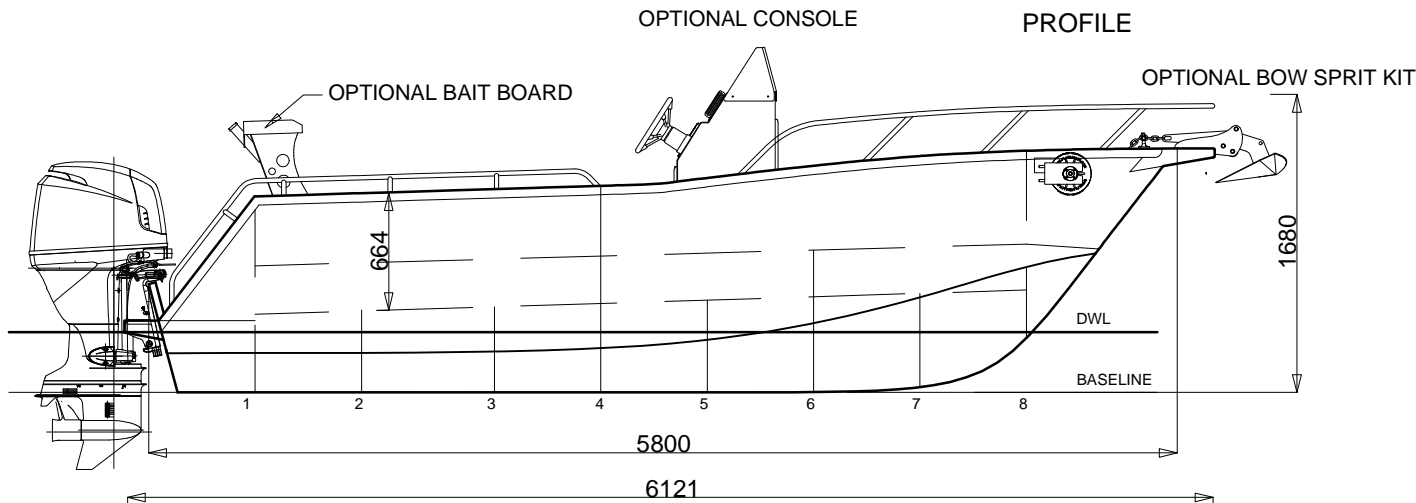


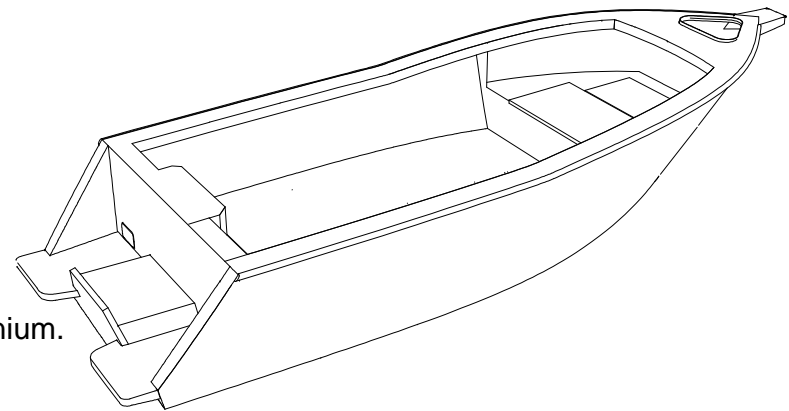
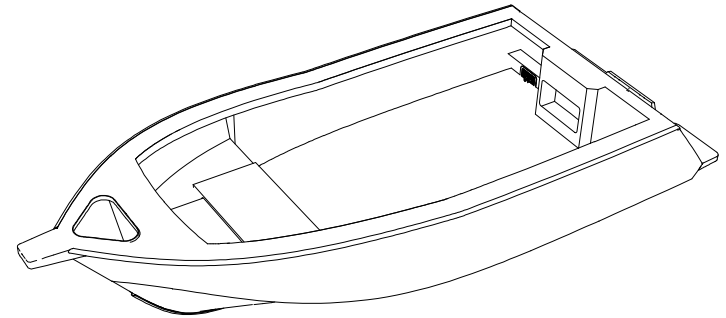
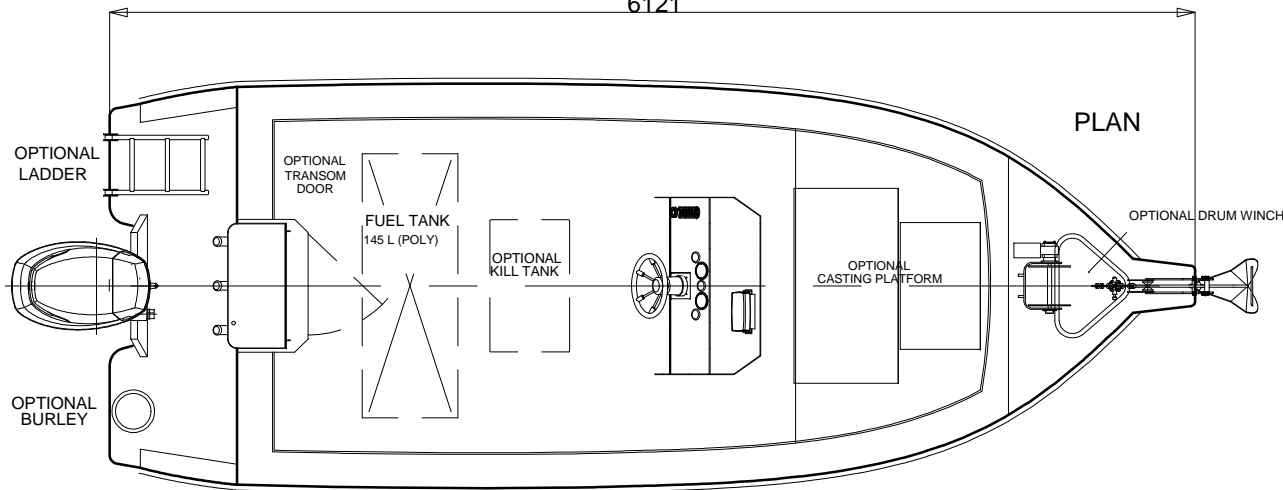
5.8m CENTRE CONSOLE

GENERAL ARRANGEMENT



PRINCIPAL PARTICULARS

LOH: 5.80 m (Hull Only)
 LOA: 6.12 m (Excluding Outboard)
 BEAM: 2.35m
 DEPTH: 1.10m
 DRAFT: 0.35m (HULL)
 D/RISE: 15° @ TRAN.
 DISPL: 1100kg DRY -w- 150HP
 ENG: 25" (XL SHAFT)
 RATED: 150 HP MAX.
 Boat hull to be foam filled.



ACTUAL KIT MIGHT DIFFER FROM PICTURES SHOWN

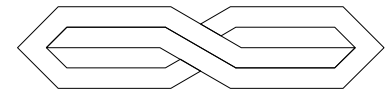


PLATE ALLOY

www.platealloy.com

Note: Layout can be customised by owner
 Owner Advised to provide sun protection

○ AUSTRALIAN BUILDERS PLATE ○

BUILDER *YOUR NAME*

HIN AU- *SEE REGISTRATION*

Max \uparrow = 170 hp

Max \uparrow = 250 kg

Max \uparrow 6 = 480 kg

Max \uparrow + \uparrow + \uparrow = 880 kg

Buoyancy BASIC Flotation

⚠ Alteration of the boat's hull or permanent fittings may invalidate the particulars on this plate.

A REDUCTION IN MAXIMUM NUMBER OF PERSONS MUST BE MADE IN ADVERSE WEATHER CONDITIONS OR WHEN ON THE OPEN SEA.

- Design in compliance with AS1799-1 2009
- Structure in accordance with ISO 12215
- material:
 - Bottom, Chine, Transom & Stringers, 5mm 5083 aluminium.
 - Sides, Deck, Cuddy, etc. 4mm 5083 aluminium,
- Builders plate, Jig, Drawings & Photo CD included with kit.
- Bollards, Scuppers, Inspection port & Drain plug included in the kit.
- 5 days per week helpdesk available
- Customization available.
- Flotation foam & most fit out parts available, check catalogue for pricing.
- HIN number engraved in kit & registered.

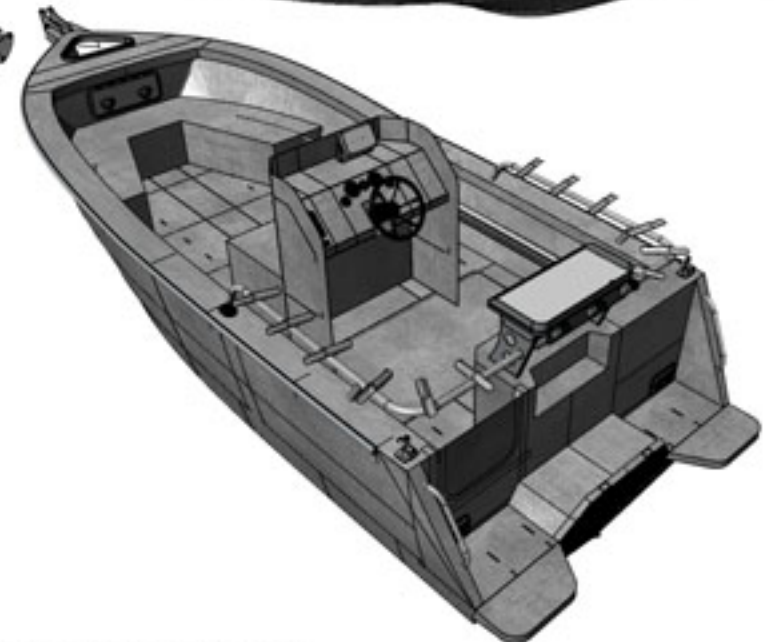
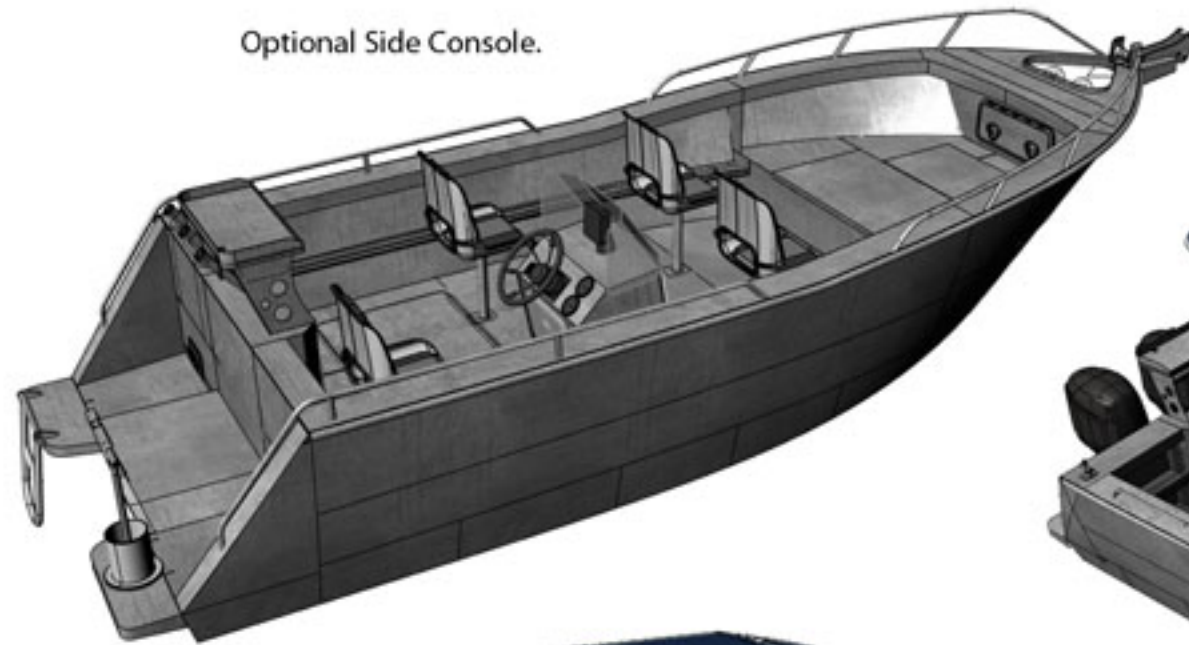
5.8 CENTRE CONSOLE



PLATE ALLOY

www.platealloy.com

Optional Side Console.



Different Console Option available, Custom change include casting deck option.



5.8 CENTRE CONSOLE



PLATE ALLOY
www.platealloy.com



Different Console Option available, Custom change include casting deck option.