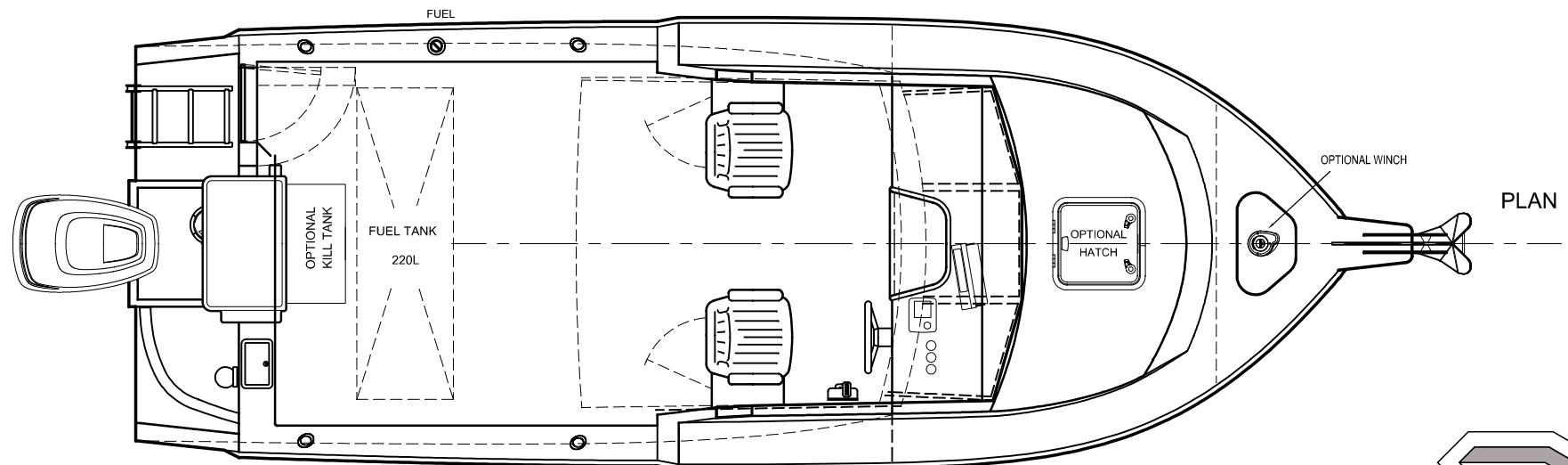
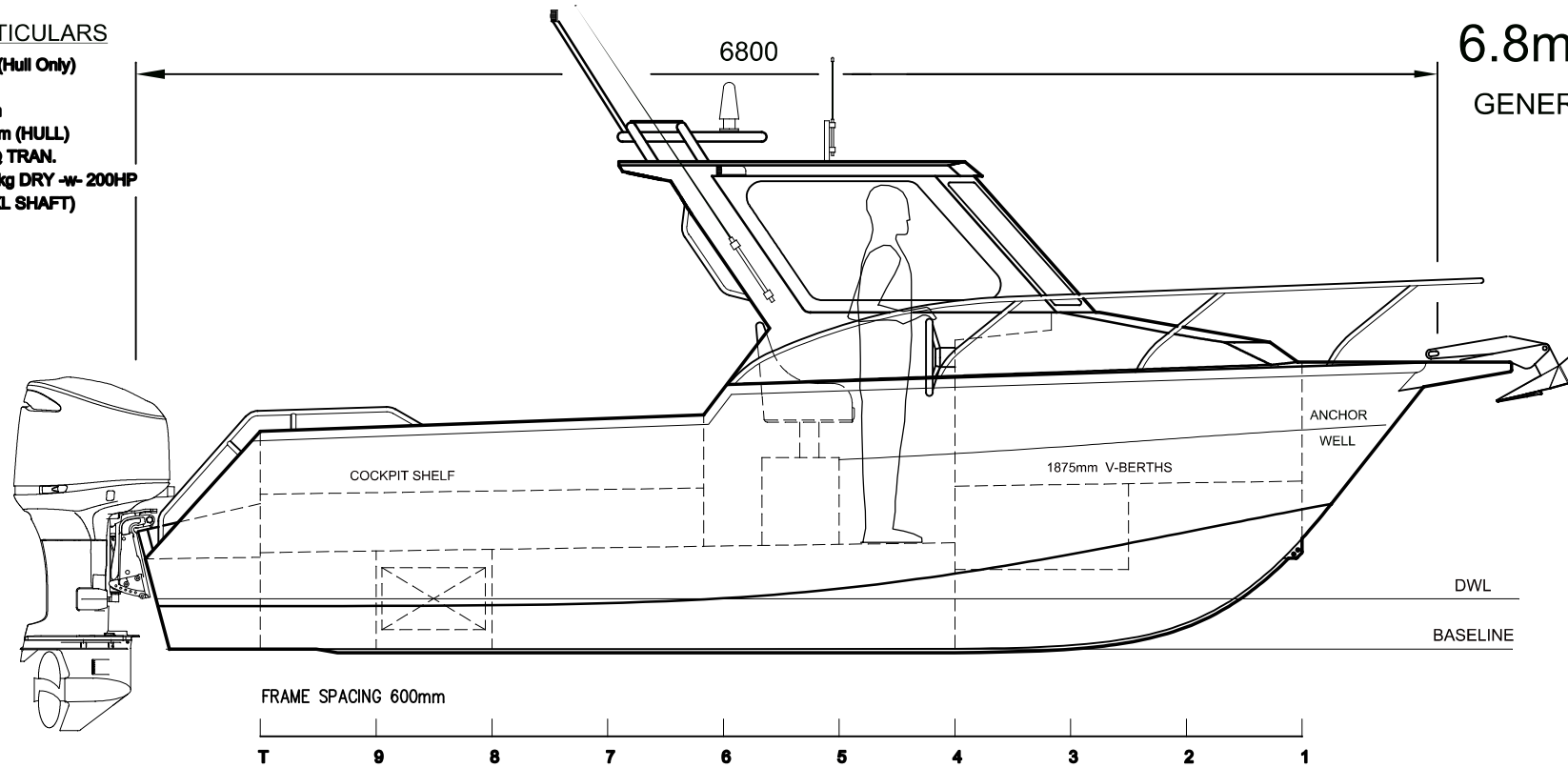


PRINCIPAL PARTICULARS

LOH: 6.8m (Hull Only)  
 BEAM: 2.5m  
 DEPTH: 1.53m  
 DRAFT: 0.275m (HULL)  
 D/RISE: 14° @ TRAN.  
 DISPL: 1380 kg DRY -w- 200HP  
 ENG: 25° (XL SHAFT)

6.8m HARD TOP  
 GENERAL ARRANGEMENT



www.platealloy.com

