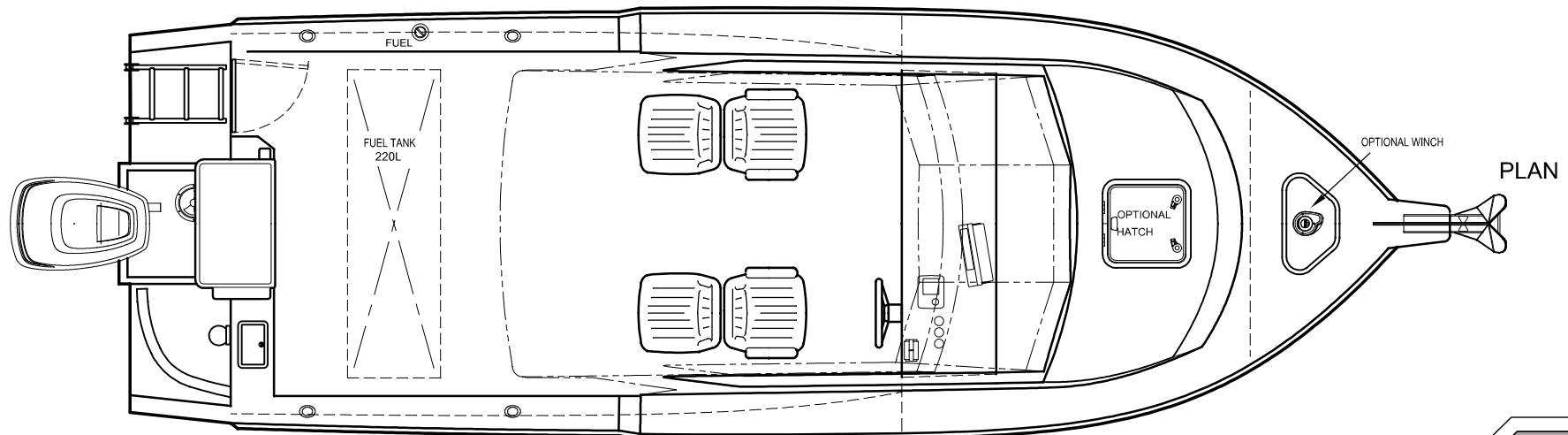
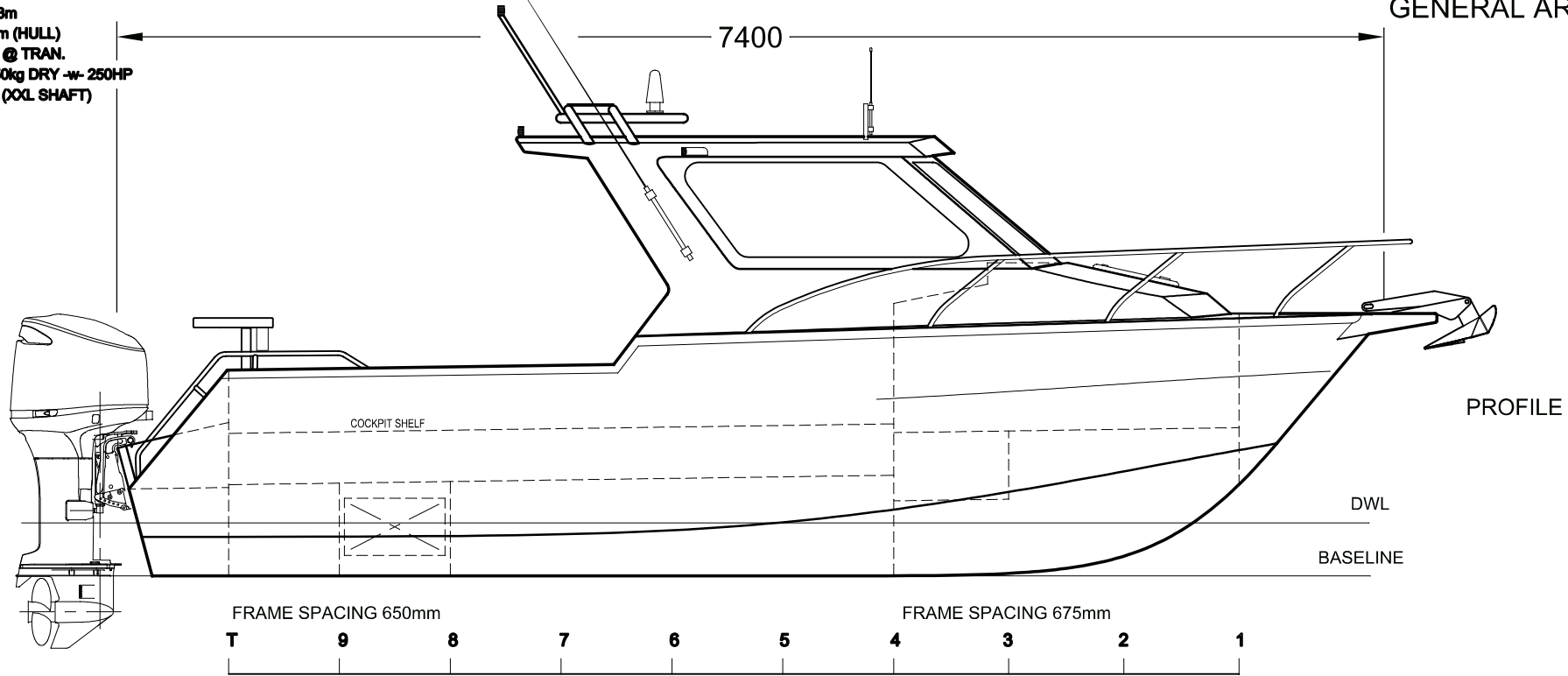


PRINCIPAL PARTICULARS

LOH: 7.4 m (Hull Only)
BEAM: 2.5m
DEPTH: 1.53m
DRAFT: 0.3m (HULL)
D/RISE: 16° @ TRAN.
DISPL: 1250kg DRY -w- 250HP
ENG: 30° (XXL SHAFT)

7.4m HARD TOP
GENERAL ARRANGEMENT



www.platealloy.com



Kit Notes: Fitout options shown, call for Kit inclusions

This drawing is the property of Plate Alloy Australia - 12-14 Elma Road, Cheltenham, Victoria, 3192, Australia. - Phone: (+613) 9555 6399 Fax: (+613) 9555 6499

