

7.5m HARD TOP

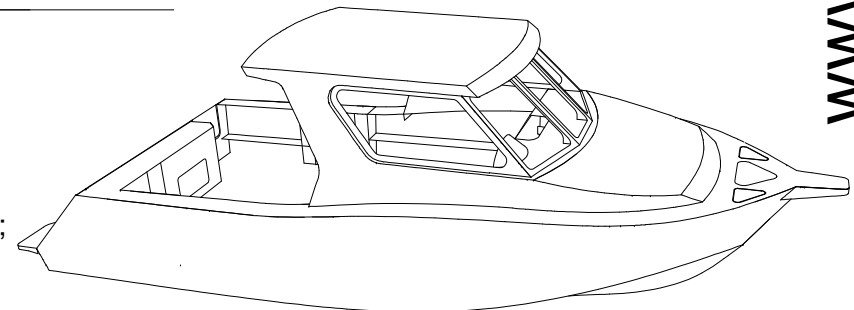
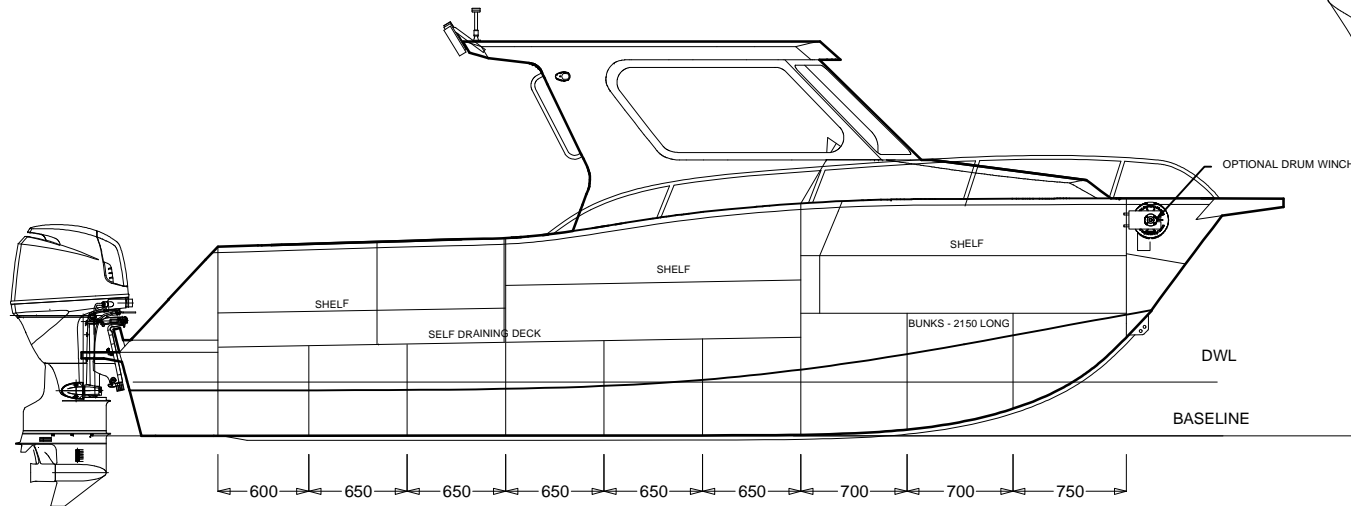
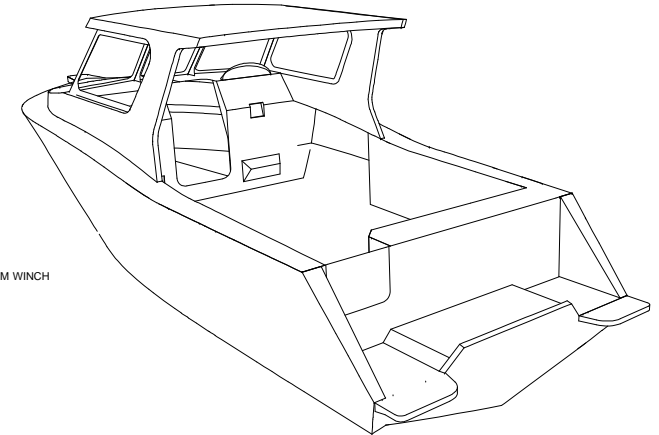
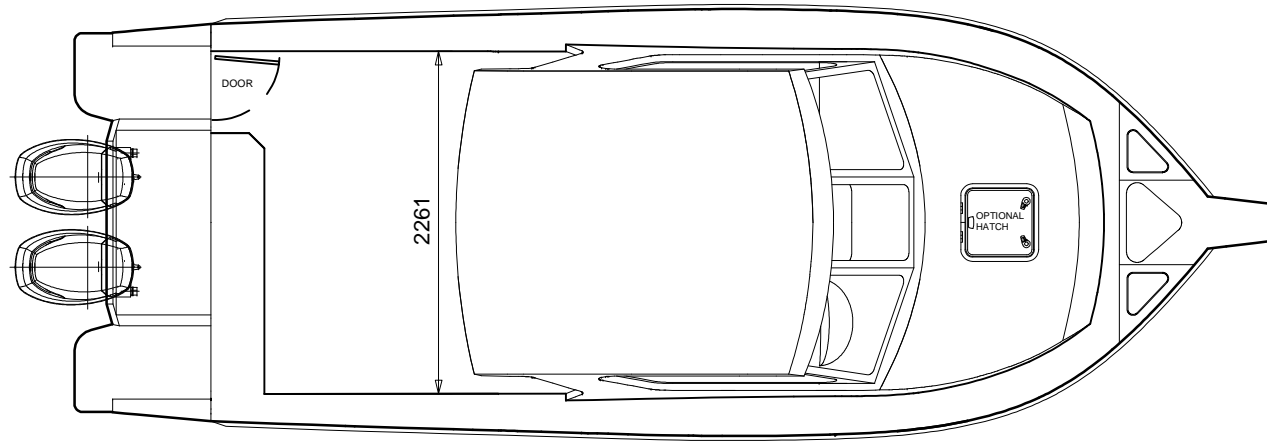
GENERAL ARRANGEMENT

PRINCIPAL PARTICULARS

LOA:	8.4 m (Hull Only)
LOH:	7.42 m (Hull Only)
BEAM:	2.9m
DEPTH:	1.53m
DRAFT:	0.35m (HULL)
D/RISE:	16° @ TRAN.
DISPL:	1550kg DRY -w- 250HP
ENG:	SINGLE - 30" (XXL SHAFT)
ENG:	TWIN - 25" (XL SHAFT)

Boat hull to be foam filled.

Note: Layout can be customised by owner
Owner Advised to provide sun protection



AUSTRALIAN BUILDERS PLATE

BUILDER "YOUR NAME"

MIN AU "SEE REGISTRATION"

Max \uparrow \equiv 300 hp

\equiv 380 kg

Max \uparrow 6 \equiv 480 kg

Max \uparrow + \uparrow + \uparrow \equiv 1000 kg

Buoyancy BASIC Flotation

Alteration of the boat's hull or permanent fittings may invalidate the particulars on this plate.

A REDUCTION IN MAXIMUM NUMBER OF PERSONS MUST BE MADE IN ADVERSE WEATHER CONDITIONS OR WHEN ON THE OPEN SEA.

- Design in compliance with AS1799-1 2009
- Structure in accordance with ISO 12215
- Material: - Bottom, Chine, Transom & Stringers 5mm 5083 aluminium;
- Sides, Deck, etc. 4mm 5083 aluminium;
- Cabin 3mm 5083 aluminium.
- Builders plate, Jig, Drawings & Photo CD included with kit.
- Bollards, Scuppers, Inspection port & Drain plug included in the kit.
- 5 days per week helpdesk available
- Customization available.
- Flotation foam & most fit out parts available, check catalogue for pricing.

ACTUAL KIT MIGHT DIFFER FROM PICTURES SHOWN

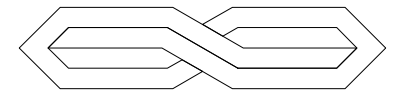


PLATE ALLOY

www.platealloy.com

7.5x2.9 HARD TOP



PLATE ALLOY

www.platealloy.com

